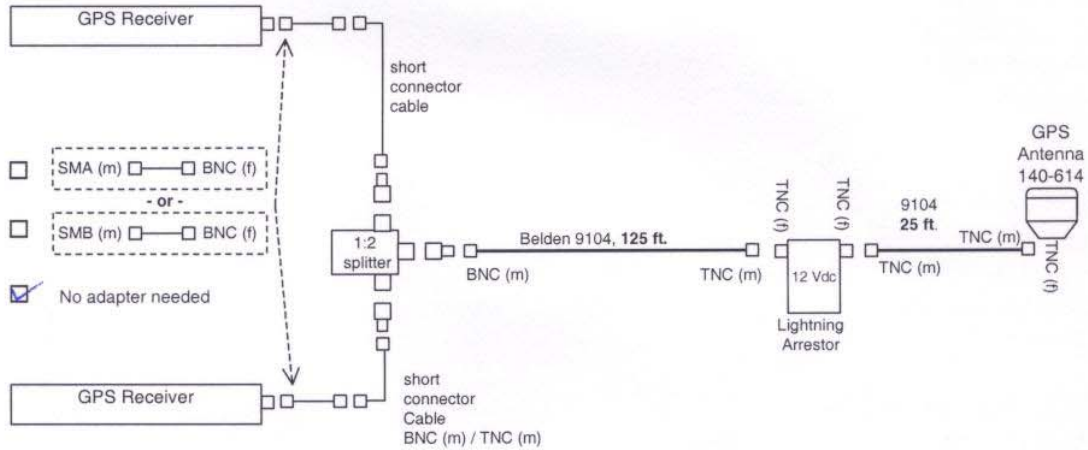


**GPS Receiver Insertion Loss Test and Verification**

Model: GPS-PCI-L Tech.: R. Black Pass   
 Part #: 560-5908-L Date: 4-19-05 Fail

**150 Foot Insertion Loss Test – 2x GPS receivers (A&B)**

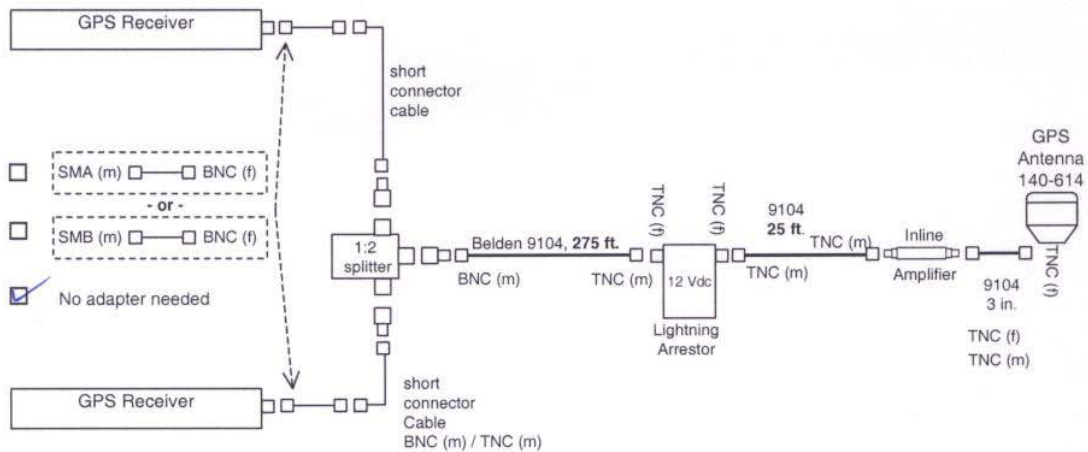


Satellites Locked: A  B

Satellites Tracked: A  B

Time Accurate: A  B

**300 Foot Insertion Loss Test – 2x GPS receivers (A&B)**



Satellites Locked: A  B

Satellites Tracked: A  B

Time Accurate: A  B